

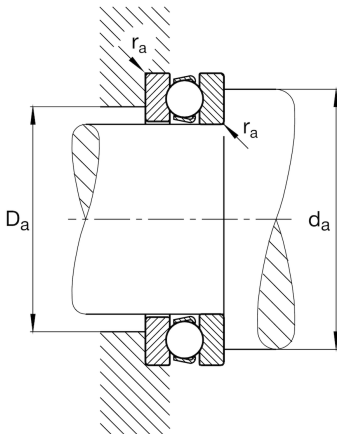
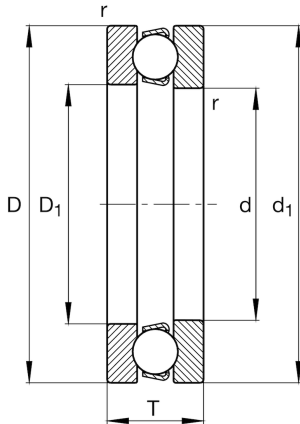
FAG

**51148-MP**

Axial deep groove ball bearing

Schaeffler ID:  
0190614120000Axial deep groove ball bearing 511..-MP,  
single direction, solid brass cage

## Technical information

**Main Dimensions & Performance Data**

d	240 mm	Inner diameter shaft washer
D	300 mm	Outer diameter housing washer
T	45 mm	Height
$C_a$	237.000 N	Basic dynamic load rating, axial
$C_{0a}$	990.000 N	Basic static load rating, axial
$C_{ua}$	27.500 N	Fatigue load limit, axial
$n_G$	1.640 1/min	Limiting speed
$n_{gr}$	1.540 1/min	Reference speed
	7,511 kg	Weight

**Dimensions**

$r_{min}$	1,5 mm	Minimum chamfer dimension
$D_1$	243 mm	Inner diameter housing washer
$d_1$	297 mm	Outer diameter shaft washer

**Mounting dimensions**

$d_{a min}$	276 mm	Minimum diameter shaft shoulder
$D_{a max}$	264 mm	Maximum diameter of housing shoulder
$r_{a max}$	1,5 mm	Maximum filled radius

**Calculation factors**

A	5,2	Minimum load factor
---	-----	---------------------

**Temperature range**

$T_{min}$	-30 °C	Operating temperature min.
$T_{max}$	200 °C	Operating temperature max.